

# Site Dumpers

**NC**  
ENGINEERING





PROBST  
MAVEG

NC  
ENGINEERING

SW  
55 60

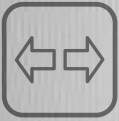
STABE

NC  
ENGINEERING

HARDOX  
IN MY BODY



# HT 18 10 HT 18 15 SW18 15



Clear dashboard layout

Twin lever control



Excellent service access



Tapered skip for maximum visibility



Twin lift cylinders



Four wheel drive Twinlock system



Super bright LED Lights



Protected hose lines

Fuse Box rated IP67

Unrivalled operator protection

Folding ROPS

Single pedal control

Heavy duty parallel linkage

Fully adjustable seat with recoil safety belt



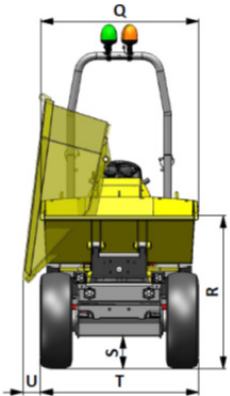
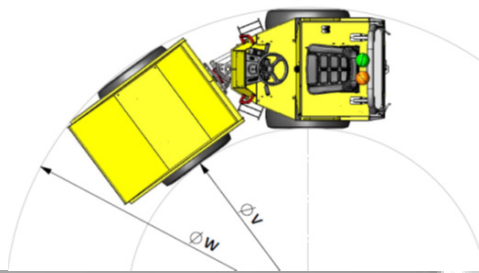
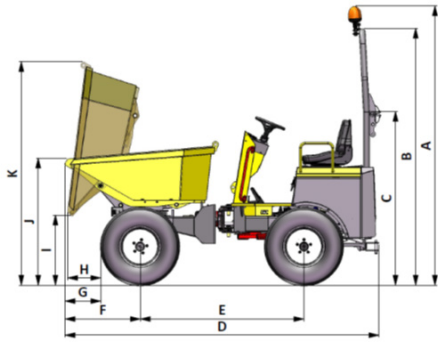
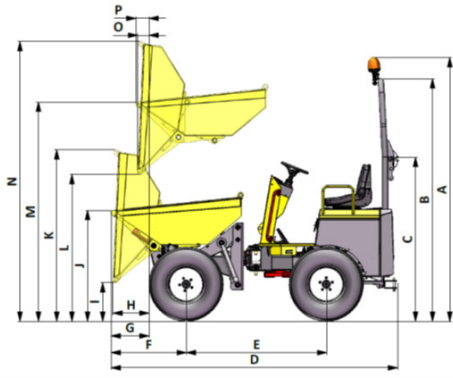
Inclinometer

Joystick control

Twin Cylinder Power Swivel 180°

High Definition Step & Handrails





**STATIC DIMENSIONS in mm**

	HT1810	HT1815	SW1815
A	2841	2841	2841
B	2613	2613	2613
C	1766	1766	1766
D	3068	3112	3166
E	1503	1648	1648
F	806	705	760
G	406	305	360
H	387	343	333
I	413	417	713
J	1194	1224	1292
K	1847	1924	2273
L	1580	1555	N/A
M	2361	2362	N/A
N	3014	3061	N/A
O	121	141	N/A
P	141	103	N/A
Q	985	1267	1297
R	1184	1199	1266
S	271	271	271
T	1129	1300	1300
U	N/A	N/A	143
V	3433	3654	3654
W	5735	6405	6405
Tipping Angle°	82°	85°	78°

<b>CAPACITY:</b>	<b>HT1810</b>	<b>HT1815*</b>	<b>SW1815*</b>
Max. safe load:	1000 kg	1500kg	1500kg
Unladen Weight:	1310kg	1415kg	1380kg
Heaped:	510L	805L	813L
Struck:	407L	644L	628L
Water:	305L	428L	480L

**ENGINE:**

Kubota D1105  
 Displacement: 1.1 L  
 Max. power: 18.2kW/24.31bhp @ 3000 rpm  
 Max. torque: 71.5Nm @ 2200 rpm  
 Emissions to: (EU) 2016/1628 & Tier 4 US EPA & CARB

**TRANSMISSION:**

Hydrostatic automotive "Twin Lock"  
 Permanent 4 wheel drive  
 Acceleration by foot pedal  
 Braking hydrostatic retardation

**DRIVE CHARACTERISTICS:**

Forward / Reverse 0-14 km/h (0-8.7 mph)  
 0-11km/h\* (0-7mph\*)  
 Steering angle: +/- 36.5°  
 Turning Circle: 5.74m  
 6.41m\*  
 Gradeability: 50%  
 Tyres: 10.0 / 75 -15.3 (traction Profile)  
 Steering: Priority load sensing centre pivot  
 Working brakes: Hydrostatic retardation  
 Park brake: Automatic in rear wheel motors

**NOISE LEVELS:**

LWA 99dB(A)  
 LPA 81dB(A)

**TANK CAPACITIES:**

Fuel: 28L  
 Hydraulic: 25L

**SKIP:**

Hydraulically operated tipping skip for increased performance  
 Heavy duty fully welded skip  
 Reinforced around the top for greater strength

**ELECTRICAL:**

Heavy duty H075 Battery: 12V, 550CCA, 60Ah  
 Wiring harness in protective sleeving  
 Auxiliary outputs  
 Reversing alarm  
 Flashing amber beacon

**HYDRAULICS:**

Automotive control hydrostatic pump  
 Hydraulic test points fitted as standard  
 Easy access return oil filter on top of tank

**SEATING & CONTROLS:**

Adjustable suspension seat  
 Clear access across dumper  
 Super bright instrument display  
 Steel constructed centre console for extra leg protection  
 Column mounted directional control lever  
 Anti-slip floor  
 Highlighted steps + handrails

**SERVICE ACCESS:**

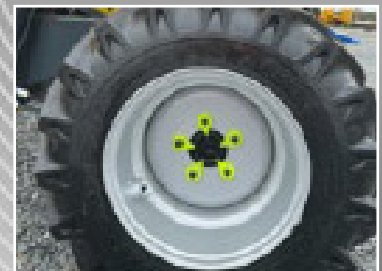
Easy access for service maintenance  
 Lockable hinged engine cover  
 Battery mounted inside the engine bay

We reserve the right to change the above specification without prior notice.

# Optional Extras

O = Option N/A = Not Available

Option	HT1810	HT1815	SW1815
Hardox Skip	NA	NA	O
Special Colour RAL (yellow parts only)	O	O	O
Green Seat Belt Light	O	O	O
Fixed Warning Triangle	NA	NA	NA
Folding Warning Triangle	O	O	O
Mirrors	O	O	O
Wheel Choc	O	O	O
Road Lights	O	O	O
Recovery Hitch	O	O	O
Scharmuller Hitch	O	O	O
7 pin towing socket (only available with road lights option)	O	O	O
7 pin towing socket for Scharmuller hitch (only available with road lights option)	O	O	O
Grass Pattern Tyres	O	O	O
Panolin Bio Oil	O	O	O
Telematics Tracking Device	O	O	O
Toolbox	O	O	O
Wheel Nut Indicators	O	O	O
Speed Decal	O	O	O
Parking Light Switch (only available with road lights option)	O	O	O
Weather Cover for Seat inc. storage box	O	O	O
Day Time Running Lights (only available with road lights option)	O	O	O
Guard on Rear of Skip	NA	NA	NA
Front Number Plate Mounting Bracket	NA	NA	O
Lockable Diesel Cap	O	O	O
Lock for Hydraulic tank	O	O	O
CESAR datatag system	O	O	O
First Service Filter kit	O	O	O
Inching pedal	NA	NA	NA
Spare Wheel Assembly	O	O	O
Side Marker lights on mudguards	NA	NA	NA
Narrow wheels & tyres	O	NA	NA
White Noise Reverse Alarm	O	O	O
Front Tow Bracket	NA	NA	NA
Rear Reflectors	O	O	O



# SW 30 19



Site mode speed limiter

Super bright LCD Display IP67 rated



Two stage start inhibitor safety system



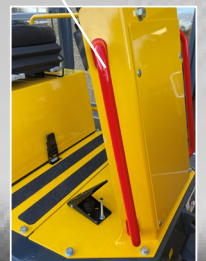
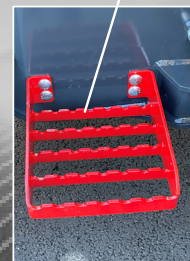
Front & Rear Guarded lights

Front facing 150° wide angle camera

Hydraulic parking brake (SAHR) No in field adjustment required



High definition steps+handrails



Service access via lockable bonnet



Integrated Toolbox



Protected IP67 rated 7" LCD Monitor

Sealed Fusebox IP67

Green beacon seat belt system (option)

180° Powerswivel bucket

Solid steel rear cover for maximum impact protection



Multi axis joystick control

Nitrotec coated pivot pins for extended life

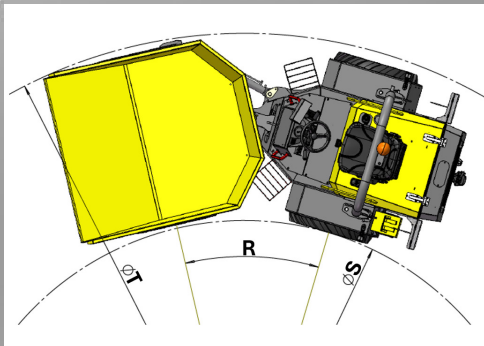
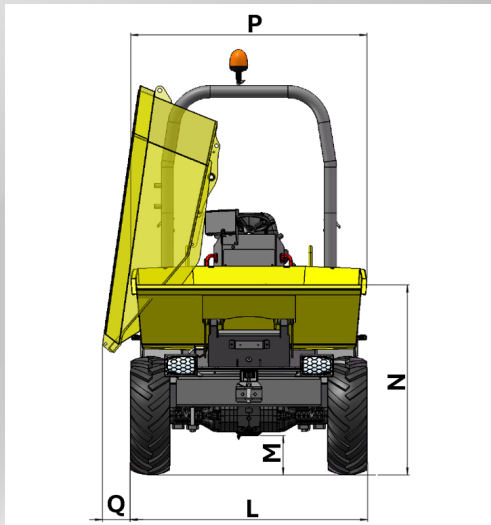
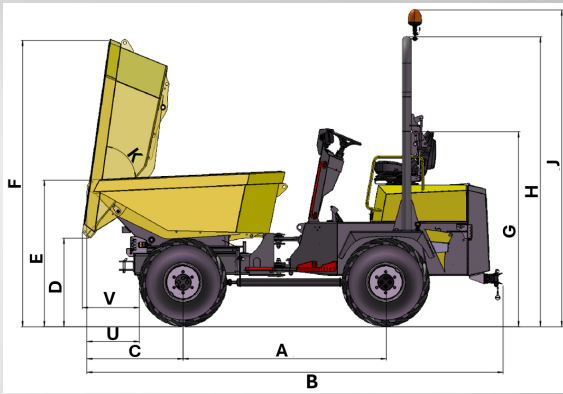
Inclinometer



Super bright LED rear lights with sequential indicators

Fully adjustable suspension seat with recoil safety belt and document pouch





**STATIC DIMENSIONS in mm**

A	2000
B	4106
C	955
D	873
E	1436
F	2823
G	1914
H	2848
J	3112
L	1730
M	288
N	1385
P	1722
Q	186
S	5009
T	8700
U	522
V	558

**SW30**  
19

**CAPACITY:**

Max. safe load: 3000kg  
 Unladen Weight: 2430kg  
 Heaped: 1663L  
 Struck: 1242L  
 Water: 910L

**ENGINE:**

Make: Kubota 3 Cyl water cooled  
 Model: D1105  
 Displacement: 1.1 L  
 Max. power: 18.2kW/24.4bhp @ 3000 rpm  
 Max. torque: 72Nm @ 2200 rpm  
 Fuel: Diesel  
 Emissions to: (EU) 2016/1628 & Tier 4 US EPA & CARB

**TRANSMISSION:**

Switchable twin mode hydrostatic CVT  
 Permanent 4-wheel drive

**DRIVE CHARACTERISTICS:**

Forward / Reverse: 0-20 km/h / 0-12.5 mph  
 Steering angle: +/- 33°  
 Turning Circle: 8.7m  
 Gradeability: 50%  
 Tyres (Traction Profile): 11.5/80-15.3 12PR  
 Steering: Priority load sensing hydrostatic centre pivot  
 Working brakes: Multi-plate oil immersed discs mounted on front axle  
 Park brake: Hand operated (SAHR) spring applied hydraulically released

**NOISE LEVELS:**

LWA: 101dB(A)  
 LPA: 80dB(A)

**TANK CAPACITIES:**

Fuel: 40L  
 Hydraulic: 34L

**SKIP:**

Hydraulically operated skip tipping to 77.5°  
 Heavy duty fully welded skip with high tensile sides 6 mm base  
 Reinforced with Domex steel around top for greater strength  
 Operated by a multi axis joystick for increased performance

**ELECTRICAL:**

Battery: 075E 12V, 550CCA, 60Ah  
 Wiring harness in protective sleeving with auxiliary outputs

**HYDRAULICS:**

Automotive control hydrostatic pump  
 Hydraulic test points fitted as standard  
 Easy access return oil filter on top of tank

**SEATING & CONTROLS:**

Adjustable suspension seat accessible from both sides  
 Clear access across dumper  
 High definition steps and handrails  
 Super bright instrument display  
 Steel constructed centre console for extra leg protection  
 Column mounted directional control lever  
 Anti-slip floor

**SERVICE ACCESS:**

Easy access for service/ maintenance  
 Lockable hinged engine bay doors  
 Battery mounted inside the engine bay

**STANDARD EQUIPMENT:**

Flashing amber beacon  
 Reversing alarm  
 Recovery hitch  
 Forward facing camera c/w 7" LCD monitor  
 Inclinometer

We reserve the right to change the above specification without prior notice.

## Optional Extras

### Base unit:

Hardox Skip  
Special Colour RAL (yellow parts only)

### Safety:

Green Light Seat belt warning System  
Warning Triangle  
Wheel Choc  
Mirrors

### Towing:

7 pin Towing Socket  
Scharmuller Tow Hitch

### Tyres:

Grass Pattern 11.5/80-15.3 14PR

### Environment:

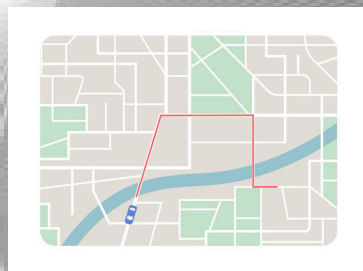
Panolin Bio in Lieu of HVLP 46

### Security:

Cesar Datatag  
Telematic Tracking

### Maintenance:

Planned Service kits  
Toolbox



\*based on data supplied by engine manufacturers rated speed

# SW 55 50 SW 55 60



Site mode speed limiter

Super bright LCD Display IP67 rated



Two stage start inhibitor safety system

Folding ROPS, FOPS safety Frame



Guarded lights

Front facing 150° wide angle camera



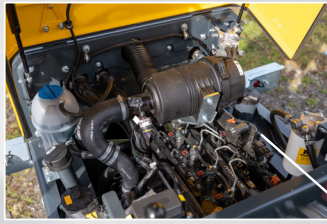
Hydraulic parking brake (SAHR) No in field adjustment required



Highlighted Steps + Handrails

Nitrotec coated pivot pins for extended life





Service Access  
Via Lockable  
Bonnet



Protected IP67  
rated 7" LCD  
Monitor

15mm solid steel rear  
cover for maximum  
impact protection



Multi axis joystick

180°  
Powerswivel

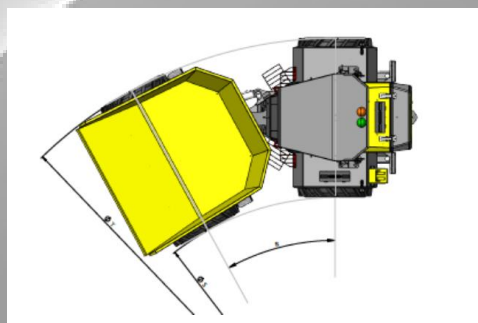
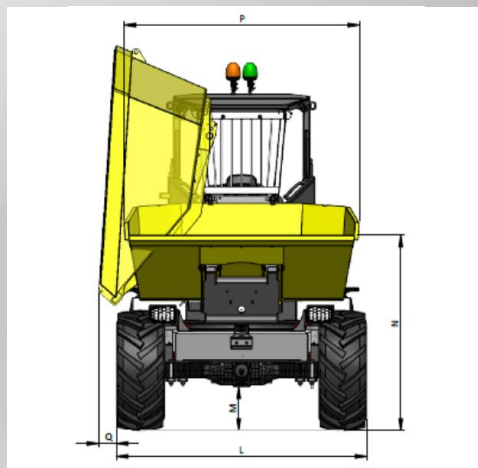
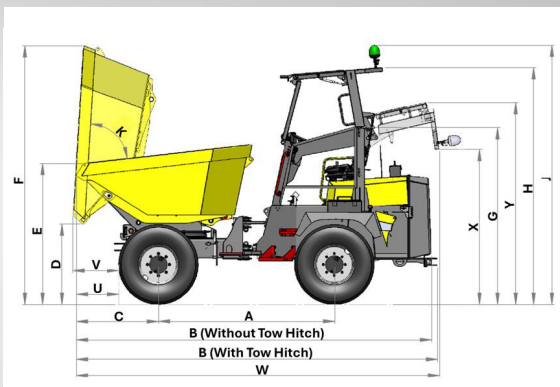
LED rear lights



Inclinometer

Fully adjustable suspension  
seat with recoil safety belt  
and document pouch





STATIC DIMENSIONS in mm		
	SW5550-C	SW5560-C
A	2210	2490
B	4530	4621
C	1030	974
D	993	1115
E	1767	1863
F	3230	3438
G	2214	2251
H	2967	3005
J	3248	3285
L	1815	2242
M	367	404
N	1667	1746
P	1920	2106
Q	292	156
S	5947	7452
T	9870	12000
U	529	434
V	565	493
W	4553	4638
X	1940	1940
Y	2529	2529

CAPACITY:	SW5550-C	SW5560-C
Max. safe load:	5000kg	6000kg
Unladen Weight:	3825kg	4200kg
Heaped:	2633L	3150L
Struck:	2110L	2444L
Water:	1368L	1650L

**SW5550**  
**SW5560**

ENGINE:	
Make	Doosan 4 Cyl water cooled
Model	D24 DM02VB
Displacement:	2.4 L
Max. power:	55.4kW/74.3bhp @ 2600 rpm
Max. torque:	320Nm @ 1600 rpm
Fuel:	Diesel
Emissions to:	(EU) 2016/1628

TRANSMISSION:	
	Switchable twin mode hydrostatic CVT
	Permanent 4-wheel drive

DRIVE CHARACTERISTICS:		
Forward / Reverse	0-25 km/h	0-26 km/h
	0-15.5 mph	0-16.1 mph
Steering angle:	+/- 32°	+/- 29°
Turning Circle:	9.87m	12m
Gradeability:	50%	50%
Tyres:	12.5/80-18 16PR	405/70-20
Steering:	Priority load sensing hydrostatic centre pivot	
Working brakes:	Multi-plate oil immersed discs mounted on front axle	
Park brake:	Hand operated (SAHR) spring applied hydraulically released	

NOISE LEVELS:		
LWA	101dB(A)	101dB(A)
LPA	83dB(A)	85dB(A)

TANK CAPACITIES:		
Fuel:	56L	56L
Hydraulic:	54L	54L

**SKIP:**  
Hydraulically operated skip tipping to 82°  
Heavy duty fully welded skip with high tensile sides 8 mm base  
Reinforced around top for greater strength  
Operated by a multi axis joystick for increased performance

**ELECTRICAL:**  
Super heavy duty 100SPPLA Battery: 12V, 700CCA, 74Ah  
Wiring harness in protective sleeving with auxiliary outputs

**HYDRAULICS:**  
Automotive control hydrostatic pump  
Hydraulic test points fitted as standard  
Easy access return oil filter on top of tank

**SEATING & CONTROLS:**  
Adjustable suspension seat accessible from both sides  
Clear access across dumper  
High definition steps and handrails  
Super bright warning lights on fully featured display instrument  
Steel constructed centre console for extra leg protection  
Column mounted directional control lever  
Anti-slip floor

**SERVICE ACCESS:**  
Easy access for service/ maintenance  
Lockable hinged engine bay doors

**STANDARD EQUIPMENT:**  
Road lighting  
Forward facing camera c/w 7" LCD monitor  
Flashing amber beacon  
Reversing alarm  
Recovery hitch  
Folding ROPS, FOPS, safety frame  
Inclinometer

## Optional Extras

### Base unit:

Hardox Skip  
Special Colour RAL (yellow parts only)

### Cabin:

Rops, Fops Cab Level 2  
Air Conditioning  
Screen Guard

### Towing:

Scharmuller Tow Hitch  
7 pin Towing Socket

### Tyres:

Grass Pattern 405/70-20

### Environment:

Panolin Bio Hydraulic Oil  
in Lieu of HVLP 46 Hydraulic Oil

### Security:

Cesar Datatag  
Telematic Tracking

### Additional Safety Options:

Bucket Guard  
Radar  
360° Camera  
Green Light Seat belt warning System  
Warning Triangle  
Wheel Choc  
Mirrors (Rear view attached to Roll Bar)

### Maintenance:

Planned Service kits  
Toolbox



Coming  
Soon



\*based on data supplied by engine manufacturers rated speed



# NC

## ENGINEERING

Rev 3 - July 2025



NC Engineering (Hamiltonsbawn) Ltd  
2 Killyrudden Road  
Hamiltonsbawn,  
Co. Armagh  
Northern Ireland  
BT61 9SF  
Tel: +44 (0) 28 38 871970  
E-Mail: sales@nc-engineering.com  
Web: www.nc-engineering.com



[www.nc-engineering.com](http://www.nc-engineering.com)